

CONCETTO

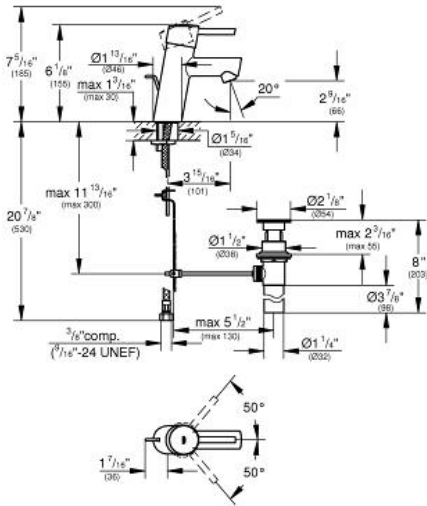
4" Centerset Bathroom Faucet S-Size

MODEL # 3427000A

Pure Freude an Wasser



GROHE America, Inc | 200 North Gary Avenue, Suite G, Roselle, IL 60172
 Phone: +1 (800) 444-7643 | Fax: +1 (800) 225-2778 | us-customerservice@grohe.com



ADA

Product Description:

4" Centerset Bathroom Faucet S-Size

Standard Specification:

- GROHE EcoJoy technology for less water and perfect flow
- Single hole installation
- Metal lever handle
- GROHE SilkMove 28 mm ceramic cartridge
- GROHE StarLight chrome finish
- Flow control
- Includes waste-set drain assembly
- Stainless steel flex lines
- GROHE QuickFix installation system with centering support
- Temperature limiter
- Max flow rate: 1.2 gpm (4.56 L/min)

Applicable Codes & Standards:

- EPA WaterSense®
- ICC/ANSI A117.1

Color:

- 3427000A StarLight Chrome

